

Domestic Hot Water Coil Location Options



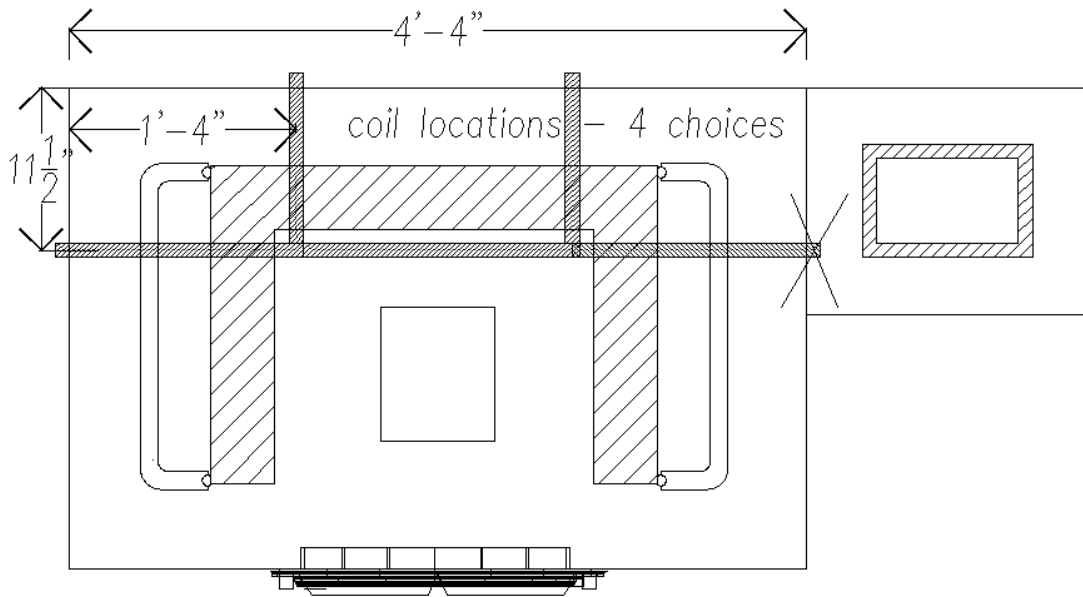
A rear exit coil about to be installed in the firebox.



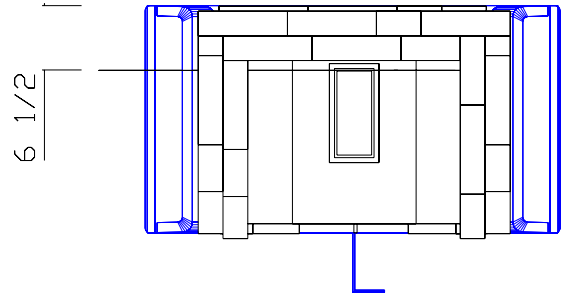
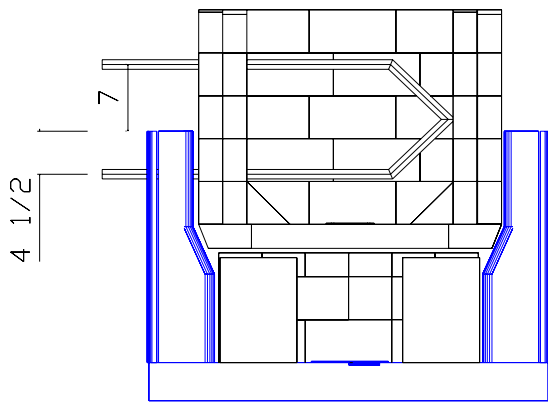
A side exit coil. Unlike a rear coil, it has to be built in and can't be retrofitted.



An installed side exit coil.



Coil exit locations - in this case there are 3 possible locations



The coil legs are on 11.5" centres vertically.
The centre of the bottom leg is 23.5" above floor level